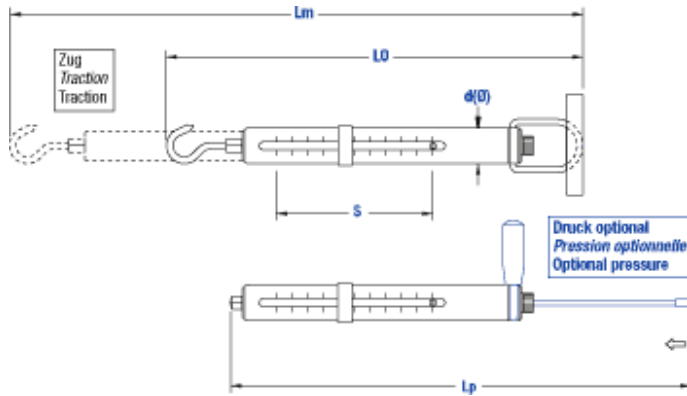



Item no. 80010 – Macro-Line Spring Scale, metric, 10 kg



Technical data

Item no.	80010
Capacity	10 kg
Division	100 g
Color	green
Precision	± 0.3%
Tare (zero adjustment)	~ 20%
Standard suspension	
S (Scale length)	140 mm
L0 (Length without load)	370 mm
Lm (Maximum length)	510 mm
Lp (with optional pressure set 8.004)	440 mm
Ø (Diameter)	32 mm
Components	non-corroding (spring only protected)
Net weight	368 g
Gross weight	444 g
Measuring position	free choice
Calibration by user	not applicable (only by manufacturer)
Manual	DE/EN/FR/IT/ES/PT/RU/CN
Packaging	transparent telescopic tube
Warranty	3 years
Code EAN13	7612348800100
Customs Tarif	8423.8100
Country of origin	Switzerland (CH)



Brief product information

Precise and handy Spring Balance with durable anodised aluminium tube and long scale of high resolution. Tare and zero adjustment. Swivelable, rotatable and removable suspension bow, guided in a ring. Lower hook swivels, rotates and can be changed using different accessories. Suspension elements out of stainless steel. Drag pointer (e.g. for easy reading of breaking forces up to maximum 30 kg) and convenient, removable handle are included. A multifunctional long life measuring instrument for weighing, measuring traction and pressure forces (optional) – two functions in one instrument. Always ready for use, needs no batteries. A time-tested original Swiss quality product.