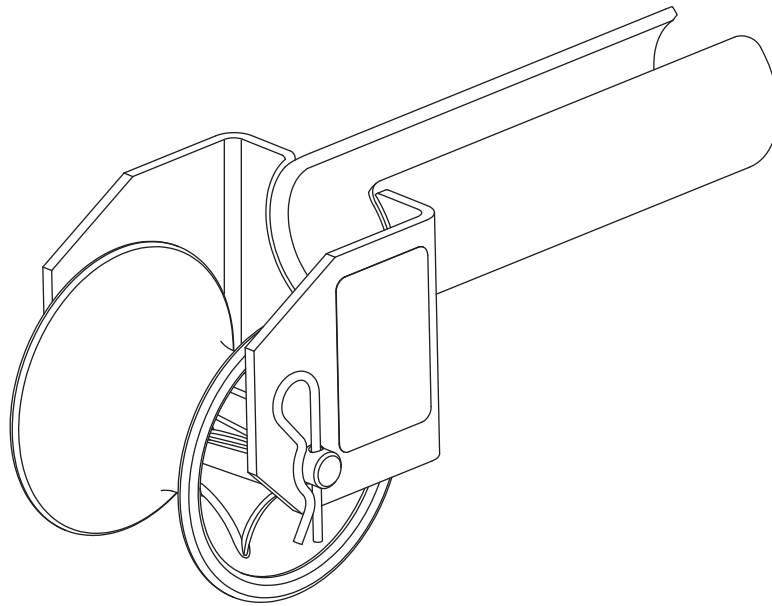


INSTRUCTION MANUAL



441 Series Cable Feeding Sheaves



Read and understand all of the instructions and safety information in this manual before operating or servicing this tool.

Description

Greenlee 441 Series Cable Feeding Sheaves are designed to make cable pulling setup easier.

Safety

Safety is essential in the use and maintenance of Greenlee tools and equipment. This instruction manual and any markings on the tool provide information for avoiding hazards and unsafe practices related to the use of this tool. Observe all of the safety information provided.

Purpose of this Manual

This manual is intended to familiarize all personnel with the safe operation and maintenance procedures for the following Greenlee tool:

441 Series Cable Feeding Sheaves

Keep this manual available to all personnel.

Replacement manuals are available upon request at no

All specifications are nominal and may change as design improvements occur. Greenlee Tools, Inc. shall not be liable for damages resulting from misapplication or misuse of its products.

IMPORTANT SAFETY INFORMATION



SAFETY ALERT SYMBOL

This symbol is used to call your attention to hazards or unsafe practices which could result in an injury or property damage. The signal word, defined below, indicates the severity of the hazard. The message after the signal word provides information for preventing or avoiding the hazard.

⚠ DANGER

Immediate hazards which, if not avoided, **WILL** result in severe injury or death.

⚠ WARNING

Hazards which, if not avoided, **COULD** result in severe injury or death.

⚠ CAUTION

Hazards or unsafe practices which, if not avoided, **MAY** result in injury or property damage.



⚠ WARNING

Read and understand all of the instructions and safety information in this manual before operating or servicing this tool. This sheave should only be operated by qualified personnel.

Failure to observe this warning could result in severe injury or death.

⚠ WARNING

- Do not use with steel cable.
- Use in rated conduit size only.
- Never exceed cable manufacturer's specifications on pulling force and radius of bend on cable being pulled.
- Do not exceed the rated pulling force at specified angle of pull. Exceeding limits could damage cable and feeding sheave.
- Never stand in direct line of pull. Sheaves can suddenly come out of the conduit and cause injury.

Failure to observe these warnings could result in severe injury or death.

Note: Keep all decals clean and legible, and replace when necessary.

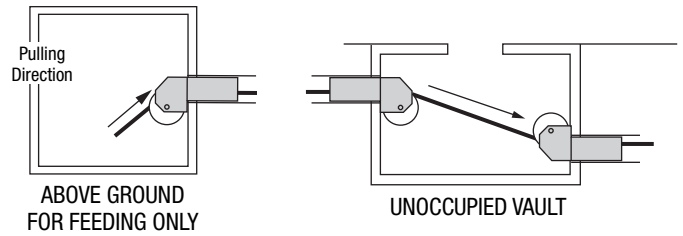
KEEP THIS MANUAL

Operation

Select the proper size feeding sheave and insert into the feeding end of the conduit run. The feeding sheave will help guide the cable and decrease friction throughout the pulling operation.

When the pull is completed, the sheave can be removed easily by sliding the cable through the opening in the insert tube.

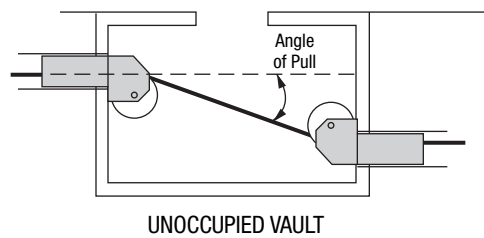
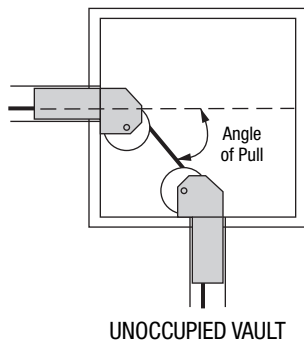
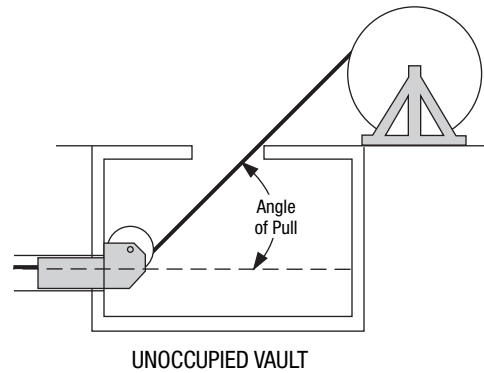
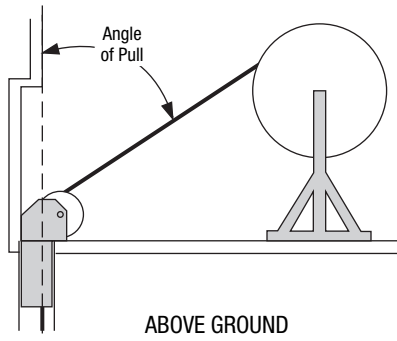
Applications



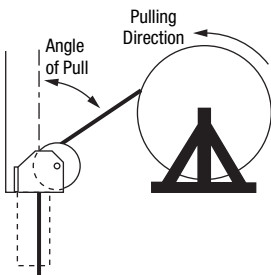
Typical Setups

The illustrations below show several ways that Greenlee Cable Feeding Sheaves can save time and reduce

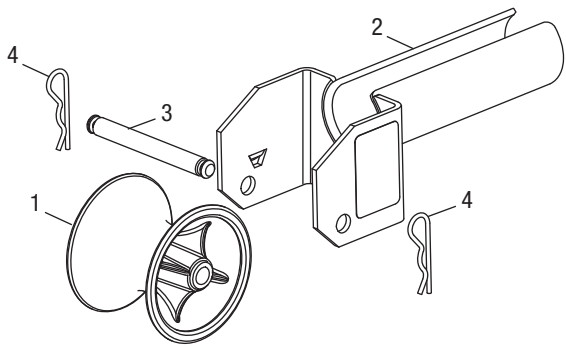
friction while pulling cable. Always refer to cable specifications for tension information.



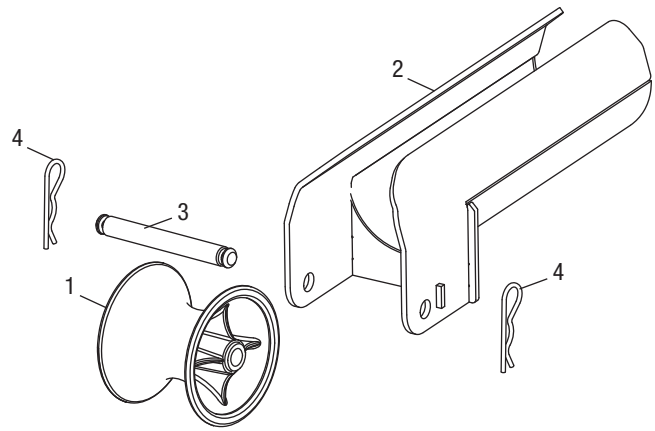
Load Rating

	Angle of Pull	MAXIMUM PULLING LOADS (lb)						
		441-2"	441-2-1/2"	441-3"	441-3-1/2"	441-4"	441-5"	441-6"
	15°	1750	1900	6050	8000	8000	8000	8000
	30°	900	1000	3150	5050	7000	8000	8000
	45°	650	700	2200	3550	5200	7400	7400
	60°	500	550	1800	2900	4200	6000	6000
	75°	450	500	1600	2600	3650	5500	5500
	90°	450	500	1550	2500	3500	5250	5250

Illustration



441-2" through 441-4"



441-5" and 441-6"

Parts List

Key	Description	Qty Req.	441-2"	441-2-1/2"	441-3"	441-3-1/2"	441-4"	441-5"	441-6"
1	6" Sheave	1	50153625	50153625	50153625	50153625	50153625	50153625	50153625
2	Frame Unit	1	52073044	52073045	52073046	52073047	52073048	52077902	52073050
3	Sheave Pin	1	50251600	50251600	50251600	50251600	50251600	50251600	50251600
4	Pin Clip	2	90503023	90503023	90503023	90503023	90503023	90503023	90503023