



Incubating Light Duty Orbital Shakers



Save Bench Space with Combined Incubating and Shaking Features

OHAUS Incubating Light Duty Shakers are innovatively designed to incubate samples providing accurate and repeatable results. All models feature independent displays with intuitive touchpad controls and include safety features that protect both the user and samples. These sturdy shakers feature triple eccentric drive systems for stable orbital motion with microprocessor-control for reliable shaking action.

Standard Features:

- Designed to provide flexibility in your applications, these shakers with a 4 kg capacity include the ready to use tray to customize with over 10 easy-to-install accessories.
- When precision is required achieve temperature accuracy with the user-controlled temperature calibration feature for sensitive applications. Digital control for reliable and repeatable shaking speed.
- Microplate shaker is designed to hold up to 4 microplates or deepwell plates, or easily install 2 microtube racks. 2 options - opaque lid for light sensitive samples and clear lid for viewing samples.

Incubating Light Duty Orbital Shakers

Model	ISLD04HDG	ISLDMPHDG	ISLDMPHDGL
Product Description	Incubating Light Duty Orbital Shaker	Incubating Microplate Shaker	Incubating Microplate Shaker with Opaque Lid
Control	Digital		
Motion	Orbital, 0.1 in. / 3 mm		
Speed Range	100 rpm – 1200 rpm		
Speed Accuracy	± 2%		
Temperature Range	Ambient +5 °C – 65 °C		
Temperature Uniformity	± 0.5 °C at 37 °C		
Timer	1 second – 160 hours		
Capacity	8 lb / 3.6 kg	4 Microplates or 2 Micro-tube Racks	
Working Environment	41 °F – 104 °F, 80% RH*, non-condensing / 5 °C – 40 °C, 80% RH, non-condensing		
Drive System	Brushless DC Motor; Triple Eccentric		
Tray Construction	Aluminum		
Tray Dimensions (L x W)	11 x 7.75 in. / 279 x 197 mm		
Overall Dimensions (L x W x H)	17 x 11 x 10.7 in. / 432 x 279 x 270 mm	17 x 11 x 7.75 in. / 432 mm x 279 mm x 197 mm	
Net Weight	24.5 lb / 11.1 kg	19.6 lb / 8.9 kg	
Power	120V, 5A, 50/60Hz / 230V, 5A, 50/60Hz		
Power Consumption	450 W		

*Relative Humidity

Other Standard Features and Equipment

Spill-resistant design, caution hot indicator, detachable 3-wire cord and plug (included)

Compliance

- **Product Safety:** CAN/CSA C22.2 61010-1, CAN/CSA C22.2 61010-2-010, CAN/CSA C22.2 61010-2-051, UL 61010-1
- **Electromagnetic Compatibility:** ICES-003 Class A, FCC Part 15 Class A
- **Compliance Marks:** TÜV SÜD

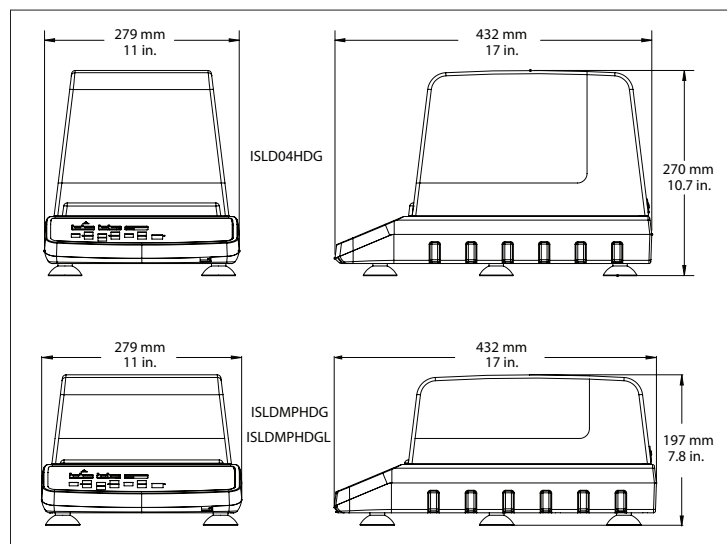
Applications

Immunoassays, hybridizations, cell cultures, bacterial & yeast cultures and suspensions, ELISA assays, PCR, enzyme reactions

Accessories

Accessories for ISLD04HDG		
Item No.	Description	Max. per Shaker
30400084	Flask Clamp, 10 mL	35
30400085	Flask Clamp, 25 mL	20
30400086	Flask Clamp, 50 mL	12
30400087	Flask Clamp, 125 mL	8
30400088	Flask Clamp, 250 mL	5
30400099	Flask Clamp PVC 125 mL	8
30400100	Flask Clamp PVC 250 mL	4
30400114	Micro Tube Rack	2
30400115	Test Tube Rack 10-13 mm Ø	1
30400116	Test Tube Rack 14-16 mm Ø	1
30400119	Test Tube Rack For 15 mL Tubes	1
30400120	Test Tube Rack For 50 mL Tubes	1
Accessories for ISLDMPHDG and ISLDMPHDGL		
30400114	Micro Tube Rack	2

Dimensions



75393_A 20190503 © Copyright OHAUS Corporation

