

STEINEL[®]
PROFESSIONAL



HG 2620 E



HG 2220 E

Information
HG 2620 E
HG 2220 E

IMPORTANT SAFETY INSTRUCTIONS READ THESE INSTRUCTIONS

UL WARNING: Read this instruction book before using. To reduce risk of fire or electric shock, do not expose to rain or moisture. Store indoors. Double insulated. When servicing, use only identical replacement parts. When using electric tools, basic safety precautions should always be followed to reduce risk of fire, electric shock and personal injury. This hot air gun operates at 1300°F with no visual indication of temperature (no flame). Never leave device unattended. Otherwise risk of fire. The heat stream at the outlet nozzle will burn flesh. Do not turn on hot air tool with hand in front of nozzle. **DO NOT USE NEAR COMBUSTIBLE LIQUIDS. DO NOT USE FOR:** ● Heating gas engines ● Heating car batteries ● Thawing refrigerator equipment.

WARNING: Some dust created by power sanding, sawing, grinding, drilling and other construction activities contains chemicals known (to the State of California) to cause cancer, birth defects, or other reproductive harm. Some examples of these chemicals are:

- Lead from lead-based paints,
- Crystalline silica from bricks and cement and other masonry products, and
- Arsenic and chromium from chemically-treated lumber.

Your risk from these exposures varies, depending on how often you do this type of work. To reduce your exposure to these chemicals: work in a well ventilated area, and work with approved safety equipment, such as those dust masks that are specially designed to filter out microscopic particles.

WARNING!

This tool is capable of producing temperatures up to 1300° F of flameless heat at the nozzle. ALWAYS:

- Direct the heat away from yourself and others.
- Prevent ignition of combustible materials on or near the workpiece.
- Prevent blockage of intake and nozzle openings.
- Keep a fully charged fire extinguisher on hand.
- Allow the nozzle and accessory tips to cool to room temperature before storage.

Cautions

1. **WARNING:** Hidden areas such as behind walls, ceilings, floors, soffit boards and other panels may contain flammable materials that could be ignited by the hot air tool when working in these locations. The ignition of these materials may not be readily apparent and could result in property damage and injury to persons. Do not use if in doubt about this hazard. When working in these locations, keep the hot air tool moving in a back-and-forth motion. Lingering or pausing in one spot could ignite the panel or the material behind it.
2. This hot air tool can produce up to 1300°F of flameless heat at the nozzle. Do not direct airstream at clothing, hair or other body parts. Do not use as a hair dryer.
3. Do not use near flammable liquids or in an explosive environment (fumes, gases or dust). Remove materials or debris, that may become ignited from work area.
4. Always hold tool by plastic enclosure. The metal nozzle requires approximately 20 minutes to cool to where it can be touched. Do not touch nozzle or accessory tips until cool.
5. Do not store tool until nozzle has cooled to room temperature. Place tool in a clear area away from combustible materials while cooling.
6. Do not cut off airflow by placing nozzle too close to work piece. Keep intake vents clean and clear of obstructions.
7. Place tool on a level surface when tool is not hand held. Place cord in a position that won't cause tipping.
8. Do not leave tool unattended while running or cooling down. Otherwise risk of fire.
9. Keep a fully charged fire extinguisher nearby.
10. Do not direct airflow directly on glass.
11. Shield materials around the heated area to prevent damage or fire.
12. Use only with 120 V AC voltage.
13. Do not use in wet conditions.
14. Not to be used by children. This is not a toy and should be respected.

15. Do not use in bath or over water.
16. Safety glasses should be worn when using this tool.
17. It is recommended that leather gloves be worn when using a hot air tool.
18. Always unplug after use.
19. **WARNING:** Extreme care should be taken when stripping paint. The peelings, residue and vapors of paint may contain lead, which is poisonous. Any pre-1977 paint may contain lead and paint applied to homes prior to 1950 is likely to contain lead. Once deposited on surfaces, hand to mouth contact can result in the ingestion of lead. Exposure to even low levels of lead can cause irreversible brain and nervous system damage; young and unborn children are particularly vulnerable. Before beginning any paint removal process you should determine whether the paint you are removing contains lead. This can be done by your local health department or by a professional who uses a paint analyzer to check the lead content of the paint to be removed. **LEAD-BASED PAINT SHOULD ONLY BE REMOVED BY A PROFESSIONAL AND SHOULD NOT BE REMOVED USING A HOT AIR TOOL.**
20. Do not allow dust, debris or other contamination to enter the heat blower air intake. They may ignite or cause damage to the tool.

Persons removing materials should follow these guidelines.


1. Move the work piece outdoors. If this is not possible, keep the work area well ventilated. Open the windows and put an exhaust fan in one of them. Be sure the fan is moving the air from inside to outside.
2. Remove or cover any carpets, rugs, furniture, clothing, cooking utensils and air ducts.
3. Place drop cloths in the work area to catch any residue. Wear protective clothing such as extra work shirts, overalls and hats.
4. Work in one room at a time. Furnishings should be removed or placed in the center of the room and covered. Work areas should be sealed off from the rest of the dwelling by sealing doorways with drop cloths.
5. Children, pregnant or potentially pregnant women and nursing mothers should not be present in the work area until the work is done and all clean up is complete.
6. Wear a dust respirator mask or a dual filter (dust and fume) respirator mask which has been approved by the Occupational Safety and Health Administration (OSHA), the National Institute of Safety and Health (NIOSH), or the United States Bureau of Mines. These masks and replaceable filters are readily available at major hardware stores. Be sure the mask fits. Beards and facial hair may keep masks from sealing properly. Change filters often.
DISPOSABLE PAPER MASKS ARE NOT ADEQUATE.
7. Use caution when operating the hot air tool. Keep the hot air tool moving as excessive heat will generate fumes which can be inhaled by the operator.
8. Keep food and drink out of the work area. Wash hands, arms and face and rinse mouth before eating or drinking. Do not smoke or chew gum or tobacco in the work area.
9. Clean up all removed residue and dust by wet mopping the floors. Use a wet cloth to clean all walls, sills and any other surface where residue or dust is clinging. **DO NOT SWEEP, DRY DUST OR VACUUM.** Use a high phosphate detergent or trisodium phosphate (TSP) to wash and mop areas.
10. At the end of each work session put the residue and debris in a double plastic bag, close it with tape or twist ties, and dispose of properly.
11. Remove protective clothing and work shoes in the work area to avoid carrying dust into the rest of the dwelling. Wash work clothes separately. Wipe shoes off with a wet rag that is then washed with the work clothes. Wash hair and body thoroughly with soap and water.

SAVE THESE INSTRUCTIONS

Thank you

Thank you for choosing a STEINEL hot air tool. This tool can be used for completing a wide range of jobs safely and reliably, such as soldering, welding PVC, shaping, drying, shrink-fitting, stripping paint, etc. All STEINEL tools are manufactured to the highest standards and undergo a strict process of quality control. Used in the proper manner, this hot air tool will give you lasting satisfaction.

Double Insulated Tools

Tools marked with the words "Double Insulated" are equipped with a two prong plug. These tools have a special insulation system that complies with applicable UL standards . They do not require grounding. "Double Insulated" tools, like this one, have two prong cords and can use either a two or three prong extension cord.

This appliance has a polarized plug (one blade is wider than the other). To reduce the risk of electric shock, this plug is intended to fit in a polarized outlet only one way. If the plug does not fit fully in the outlet, reverse the plug. If it still does not fit, contact a qualified electrician. Do not modify the plug in any way.

Extension Cords

As the distance from the supply outlet increases, heavier gauge extension cords are required. The use of extension cords of inadequate size wire causes a serious drop in voltage and loss of power. Protect the cord from damage. Keep cords away from excessive heat, sharp edges and damp or wet areas. Repair or replace damaged extension cords before using.

Ext. Cord Length	Wire Size
40 Ft.	16
85 Ft.	14
100 Ft.	12
170 Ft.	10
270 Ft.	8
400 Ft.	6
650 Ft.	4

Conversion °C to °F

°C	= °F
100	212
200	392
300	572
400	752
500	932
600	1112
700	1292

Conversion °F to °C

°F	= °C
100	38
200	93
300	149
400	204
500	260
600	316
700	371
800	427
900	482
1000	538
1100	593
1200	649

For Your Safety (HG 2620 E / HG 2220 E)

First time use, a small quantity of smoke may occur when the tool is used for the first time. This smoke is caused by binding agents released from the heater's insulating film during the first time of use. To let the smoke escape quickly, the tool should be set down on its standing surface. The area you are working in should be well ventilated when using the tool for the first time. Any smoke coming out of the tool is not harmful!

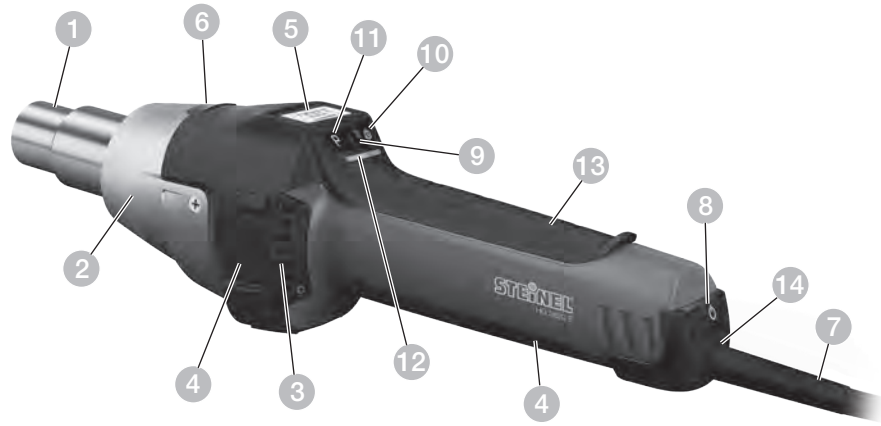
Residual heat indicator (HG 2620 E)

The residual heat indicator serves as a visual warning to prevent injury from direct contact with the hot nozzle outlet by flashing until the temperature at the nozzle outlet has fallen below 140 degrees F at room temperature. It begins working after the tool has been in use for 90 seconds and also works when the tool is unplugged. No indication will be shown if the tool has been in operation for less than 90 seconds. Responsibility always rests with the user and care must be taken at all times when handling hot air tools.

These hot air tools are protected from overheating:

The thermal cut-out completely shuts down the tool if it is overloaded.

HG 2620 E



Tool features HG 2620 E

- 1 Stainless steel outlet nozzle
- 2 Removable guard sleeve
- 3 Air inlet with integrated fine dust filter
- 4 Soft coating for non-slip standing
- 5 LCD display
- 6 Removable cap for mounting HG Scan PRO temperature scanner
- 7 Heavy-duty rubber-insulated power cord
- 8 ON/OFF Button
- 9 Joystick (for setting airflow and temperature)
- 10 Button for airflow rate mode
- 11 Program selector button and memory button
- 12 Residual heat indicator
- 13 Soft grip handle for comfortable operation
- 14 Replaceable main power cord

Tool description - Operation

Please note: The distance from the object you are working on depends on material and intended method of working. Always try out the airflow and temperature on a test piece first. Using the attachable accessory nozzles (see accessories page on the cover) the flow of hot air can be controlled with maximum precision.

Take care when changing hot nozzles! When using the hot air tool in the self-resting position, make sure it is standing on a stable, non-slip and clean surface.

1. Operation

The tool is switched on and off at the ON/OFF button **8** on the back of the grip handle. The joystick **9** is used for controlling temperature and airflow or fan speed.

2. Setting the temperature

Temperature can be infinitely varied over a range of 120-1300 °F at the joystick on the control panel with LCD display. The actual temperature is measured at the hot air outlet nozzle and indicated on the display.

The joystick **9** is used as an input button with plus/minus function.

Briefly pressing the "+/-" joystick increases or reduces the temperature setting in 10 ° steps. Keeping the joystick pressed speeds up the temperature setting process. Once the temperature has been set, the tool takes a few seconds to reach temperature (depending on speed/airflow). The temperature setting selected is shown on the display for 3 seconds. The display then shows the current actual temperature. The "°C/°F" symbol continues to flash until the selected temperature is reached.

If you want to alter the setting, simply press the joystick again to increase or reduce the temperature. After switching off, the hot air tool stays in the last setting.

3. Setting airflow rate

To change the airflow rate, first press the button for airflow mode **10**; the fan symbol flashes. Now use the joystick to set the airflow rate. The airflow rate setting mode automatically closes if the airflow rate setting is not changed within 5 seconds. Pressing the airflow button again after setting the airflow rate immediately closes the airflow rate setting mode. The airflow rate can be varied from a minimum of 2 cfm to a maximum of 13 cfm.

Temperature measurement on the workpiece

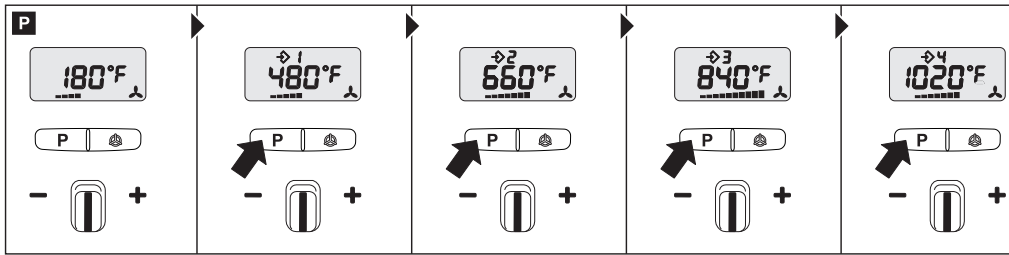
We recommend the STEINEL HG Scan PRO temperature scanner (Prod. No.: 110033508) for detecting the temperature at the workpiece.

Programming mode [P]

Four programs are factory-set for the most common types of work. Press button "P" for programming mode. Number 1 is displayed for programme 1. Continuing to press the programme button will take you to programs 2-4. Pressing the button again will return the tool to normal operation.

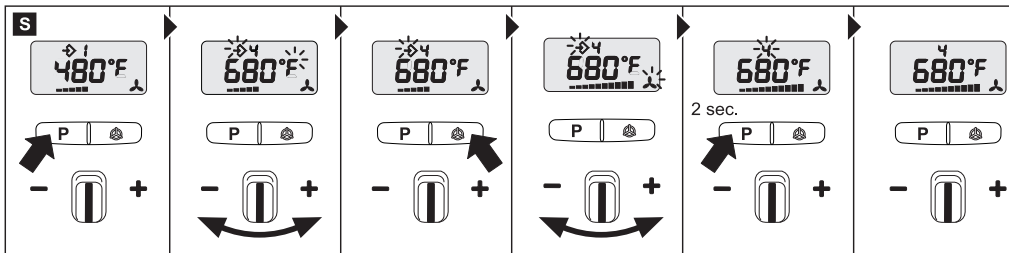
Preset programs

Program	Temperature °F (°C)	Air cfm
1	480 °F (250 °C)	7 cfm
2	660 °F (350 °C)	9 cfm
3	840 °F (450 °C)	11 cfm
4	1020 °F (550 °C)	11 cfm

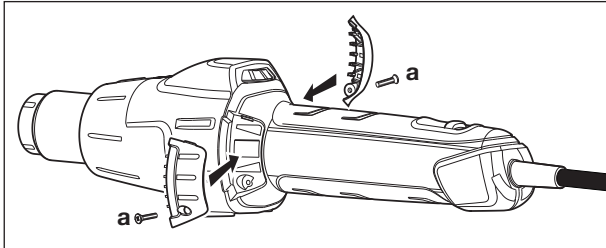


Memory function [S]

The values selected for the four programs can be changed and memorised at any time. To do this, first press the program button "P" until the display shows the program you wish to change. Set the temperature and airflow rate you require. Memory symbol on the LCD flashes to indicate that the user program selected has been changed. To memorise this setting in the user program selected, press and hold down the program selector button. The memory symbol continues to flash for approx. 2 sec. The settings entered are saved once the memory symbol stays on all the time. To return to normal operation, press the program button until the program symbol disappears from the display.



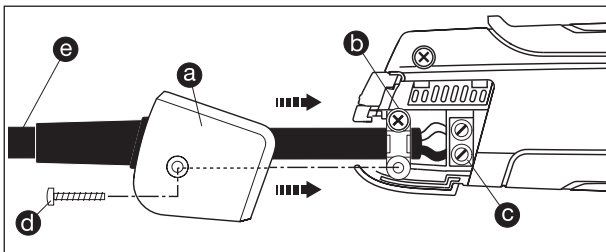
Maintenance



Fine dust filter ③

The HG 2620 E has an integrated fine dust filter ③. To clean it (with compressed air), undo screws (a), take off cover and remove filter.

Repair



Changing the power cord ⑭

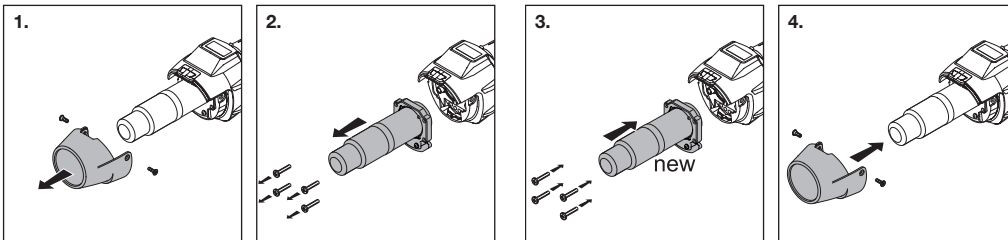
Important! Disconnect tool from power supply. Let have electrical repairs only be executed by fully trained licensed electricians.

If the power cord is damaged, it can easily be changed without opening the casing.

1. Undo screw **d** and pull off cover cap **e**.
2. Release cable grip **b**.
3. Undo mains terminals **c**.
4. Pull out cable **e**.
5. Insert new cable and secure in reverse order (1. Firmly screw down mains terminals etc.).

Changing the heating element

The plug-in heating element in the HG 2620 E can be changed in a matter of seconds.



Important! Disconnect tool from power supply.

1. Undo guard sleeve screws and remove guard sleeve (Fig. 1).
2. Undo 4 screws at the end of the hot air outlet nozzle and detach heating element.
3. Replace the heating element with a new one and firmly screw heating element into place (Fig. 3).
4. Firmly screw guard sleeve back on (Fig. 4).

Other functions

Restart protection

Restart protection prevents the hot air tool from starting after an interruption in the power supply. The hot air tool is only ready for operation again after switching it on at the ON/OFF button **3**.

LOC function

To avoid altering the chosen settings unintentionally, the HG 2620 E comes with a Lockable Override Control Function (LOC). To find out how to set the LOC function, please contact our Service Department on **+888-298-8298**.

Technical Specifications HG 2620 E

Voltage	120 V, 60 Hz
Output	1750 W max.
Temperature	120-1300 °F, 50-700°C continuously variable
Airflow rate	2-13 cfm, continuously variable
Air pressure	3000 Pa
Delivery nozzle Ø	30 mm, using Professional nozzles
Motor life	approx. 10,000 hrs.
Heater life	approx. 800 hrs.
Residual heat indicator	Yes
Power cord	Industrial grade rubber, double insulated
Thermal cut-out	Yes
Emission sound pressure level	≤ 70dB (A)
Total vibration value	≤ 2.5 m/s ² / K = 0.08 m/s ²
Weight without power cord	0.84 kg
Subject to technical modifications	

Applications HG 2620 E

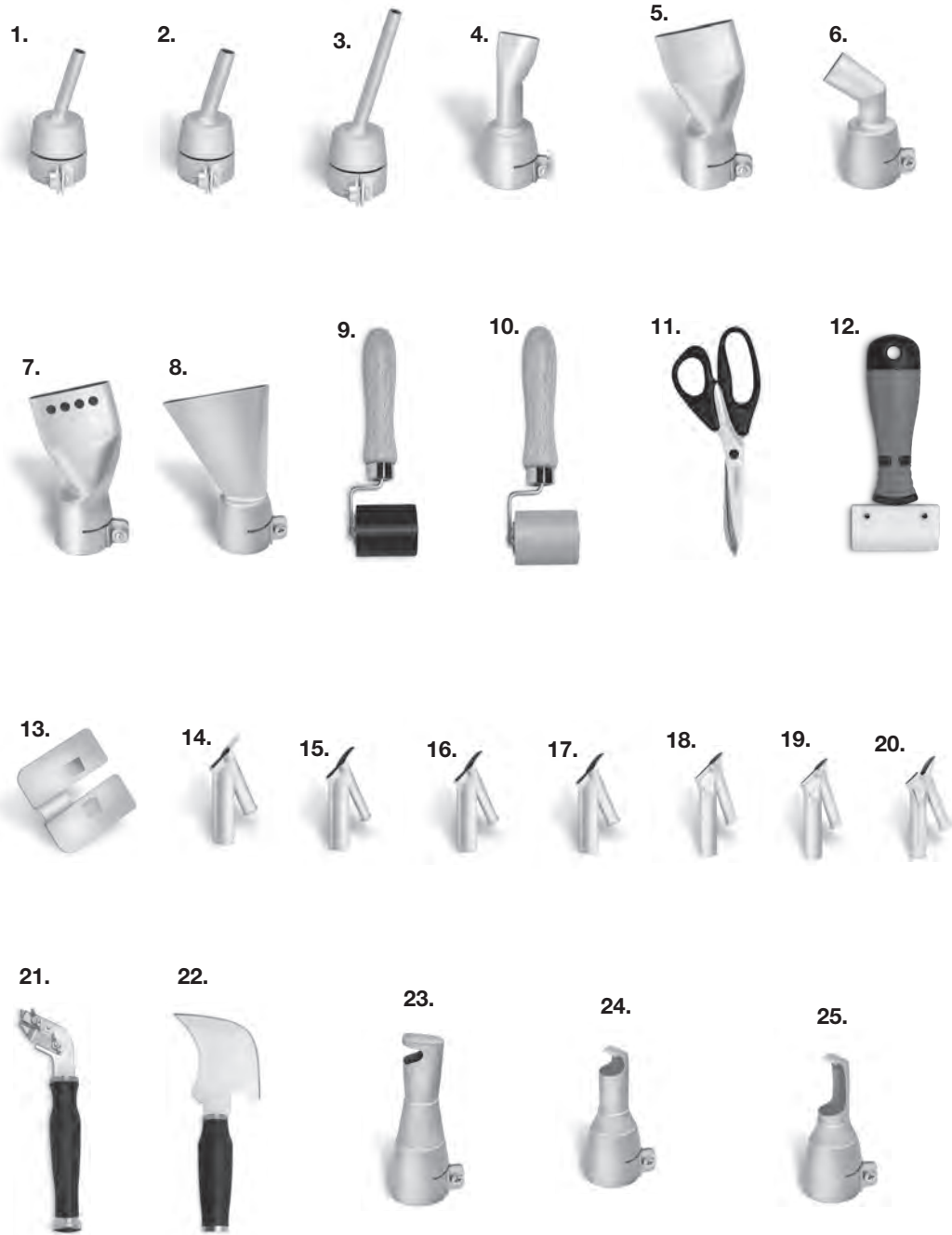
Here are some of the applications you can use STEINEL hot air tools for. This selection is by no means exhaustive – no doubt you can immediately think of other examples.

- Welding bitumen.
- Welding tarpaulins and films.
- Welding PVC floor coverings and linoleum.
- Working rigid thermoplastic materials in plastics and tank construction.
- Shaping thermoplastics.
- Drying wet surfaces.
- Activating and removing glues and hot-melt adhesives.
- Drying and heating processes of all kinds.

Plastic types:		
Material	Application types	Distinguishing characteristics
Rigid PVC	Piping, fittings, boards, building profiles, technical molded components, etc. Welding temperature 550 - 650 °F (290 - 345 °C)	Incineration test: carbonizes in the flame and extinguishes on its own Smoke odor: pungent, of hydrochloric acid Drop test: crashing
Plasticized PVC	Floor coverings, wallpaper, hoses, sheets, tools, etc. Welding temperature 550 - 650 °F (290 - 345 °C)	Incineration test: smoking, yellowish-green flame Smoke odor: pungent, of hydrochloric acid Drop test: silent
Plasticized PE (LDPE) Polyethylene	Domestic and electronic items, toys, bottles, etc. Welding temperature 450 - 550 °F (230 - 290 °C)	Incineration test: light, yellow flame, drops continue to burn Smoke odor: resembles an extinguished candle Drop test: dull
Hard PE (HDPE) Polyethylene	Baths, baskets, canisters, insulating materials, piping, cellar shafts, transport containers, waste bins, etc. Welding temperature 550 - 650 °F (290 - 345 °C)	Incineration test: light, yellow flame, drops continue to burn Smoke odor: resembles an extinguished candle Drop test: crashing
PP Polypropylene	HT drainpipes, plastic chairs, packaging, car components, equipment housing, technical moldings, battery boxes, etc. Welding temperature 450 - 550 °F (230 - 290 °C)	Incineration test: light flame with a blue core, drops continue to burn Smoke odor: pungent odor of paraffin Drop test: crashing
ABS	Car components, equipment housing, suitcases Welding temperature 625 - 725 °F (330 - 385 °C)	Incineration test: black, fluffy smoke Smoke odor: sweetish Drop test: crashing

Accessories HG 2620 E

Your retailer has a wide range of accessories for you to choose from.

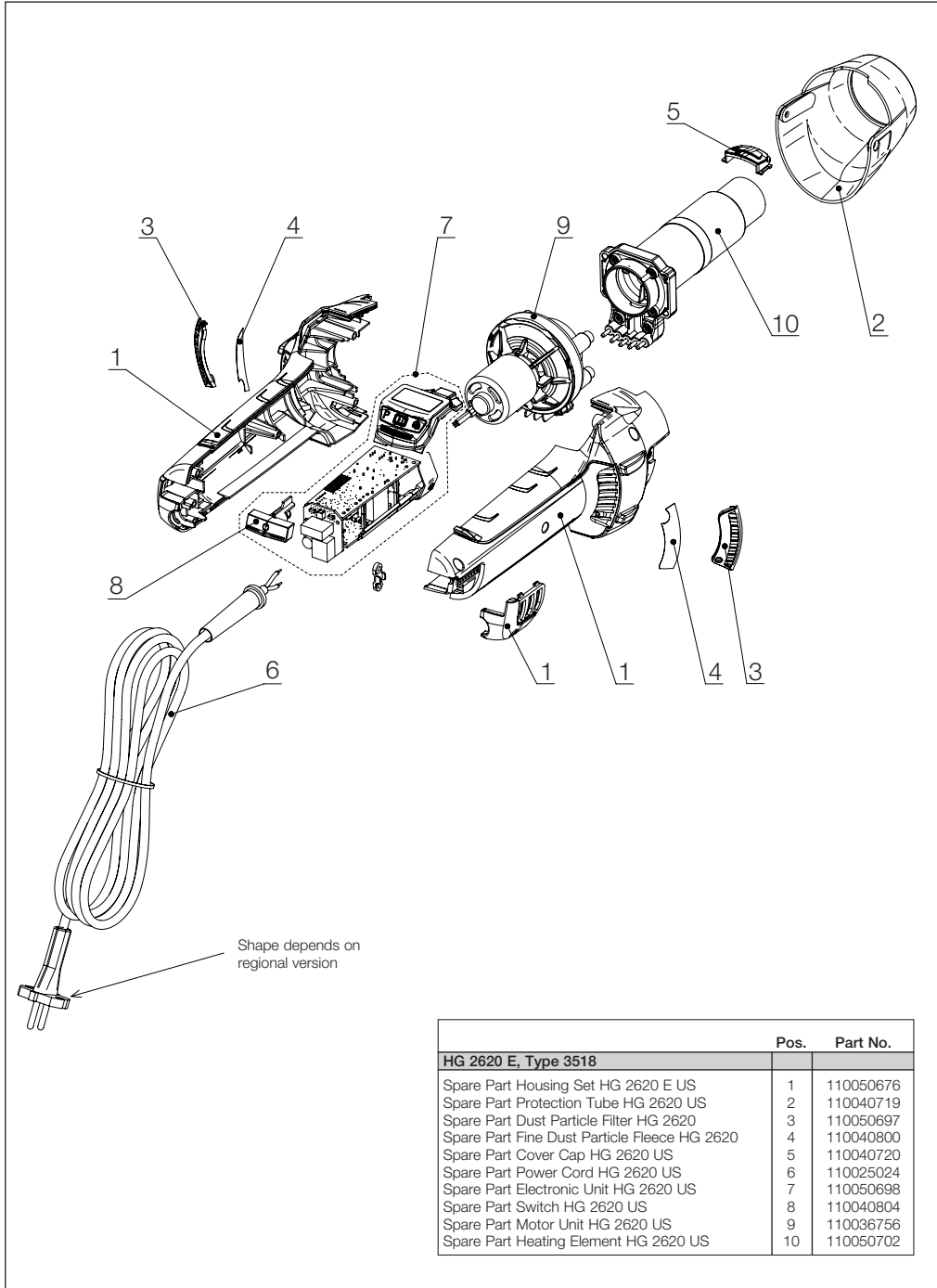


Accessories HG 2620 E

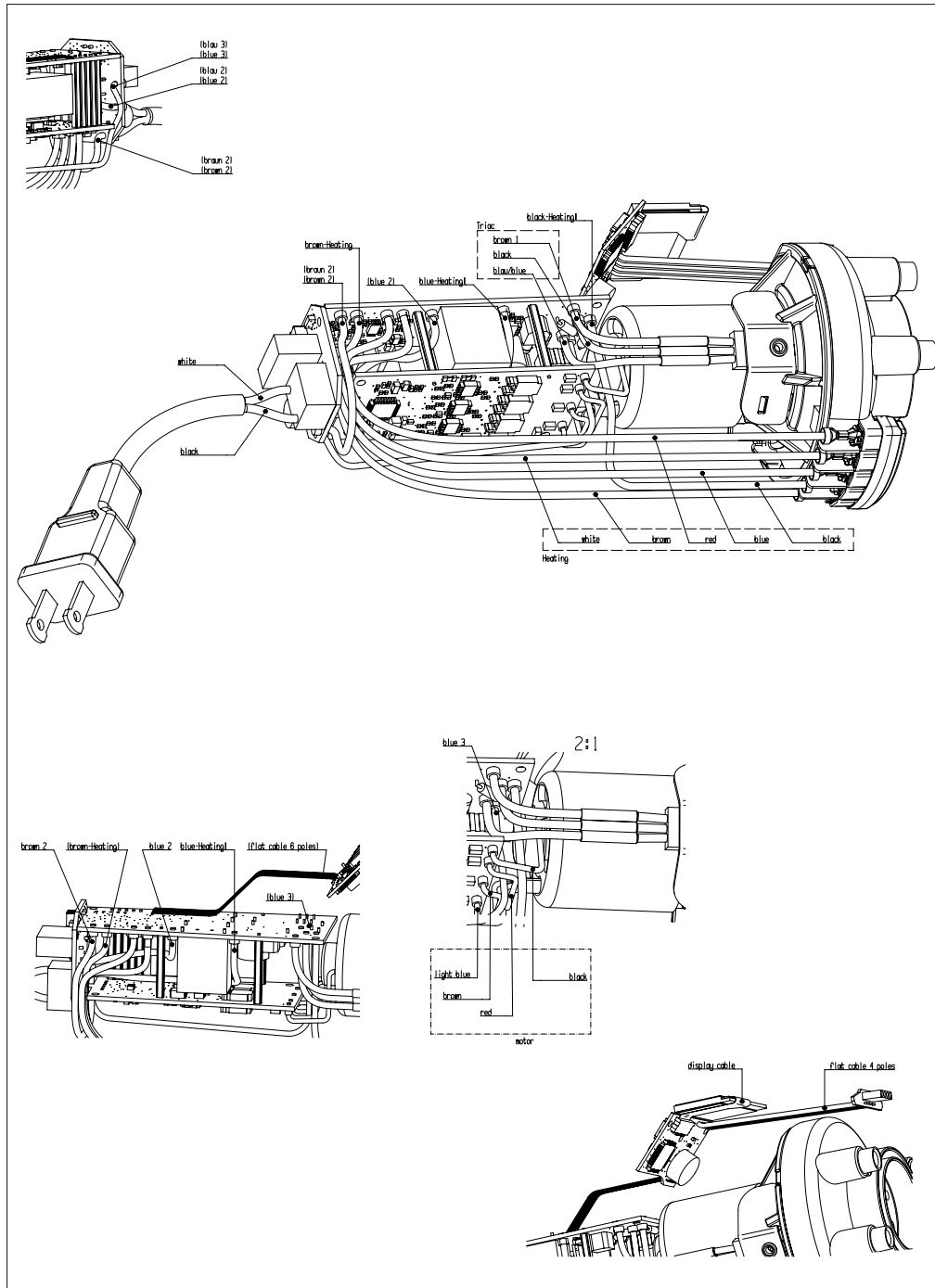


1	Round nozzle, 5 mm	Prod. No. 110048652	19	Fast welding nozzle, 4 mm, with narrow air slot	Prod. No. 110039076
2	Round nozzle, 10 mm	Prod. No. 110048653	20	Fast welding nozzle, 5 mm, with narrow air slot	Prod. No. 110039166
3	Round nozzle, extended, 5 mm	Prod. No. 110038668	21	Jointing plane	Prod. No. 110038478
4	Flat angled nozzle, 20 x 2 mm	Prod. No. 110049713	22	Quarter-moon knife	Prod. No. 110038479
	Flat angled nozzle, 20 x 2 mm, straight	Prod. No. 107082800	23	Soldering reflector nozzle	Prod. No. 110039169
5	Flat angled nozzle, 40 x 2 mm	Prod. No. 110049712	24	Reflector nozzle, 20 mm	Prod. No. 110039167
6	Flat angled nozzle, 30 x 2 mm	Prod. No. 110039176	25	Reflector nozzle, 35 mm	Prod. No. 110039168
7	Flat angled nozzle, 40 x 2 mm, perforated	Prod. No. 110038670	26	Sieve reflector nozzle, 35 x 20 mm	Prod. No. 110038726
8	Flat nozzle for bitumen, 60 x 2 mm	Prod. No. 110038674	27	Sieve reflector nozzle, 50 x 35 mm	Prod. No. 110038725
9	Pressure roller rubber, 50 mm	Prod. No. 110038455	28	Shell reflector nozzle	Prod. No. 110039170
10	Pressure roller silicone, 35 mm	Prod. No. 110031646	29	HG Scan PRO	Prod. No. 110033508
11	Tarpaulin shears	Prod. No. 110038728	30	Plastic welding rod rigid PVC	Prod. No. 110048754
12	Fillet weld feeder	Prod. No. 110039165	31	Plastic welding rod HDPE	Prod. No. 110048753
13	Weld slide	Prod. No. 110038477	32	Plastic welding rod PP	Prod. No. 110048757
14	Welding nozzle	Prod. No. 110048747	33	Plastic welding rod ABS	Prod. No. 110048756
15	Fast welding nozzle, 3 mm	Prod. No. 110038331	34	Thermo flex welding rod	Prod. No. 110049675
16	Fast welding nozzle, 4 mm	Prod. No. 110038332			
17	Fast welding nozzle, 5 mm	Prod. No. 110038333			
18	Fast welding nozzle, 3 mm, with narrow air slot	Prod. No. 110038676			

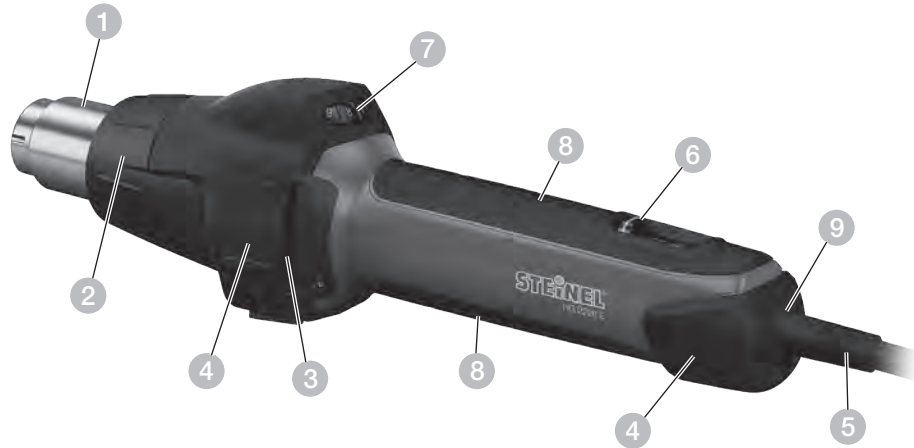
Spare Parts List HG 2620 E



Wiring Diagram HG 2620 E



HG 2220 E



Tool features HG 2220 E

- | | | | |
|---|--|---|---|
| 1 | Stainless steel outlet nozzle | 6 | Multiple-stage switch for adjusting airflow (2-stage) |
| 2 | Removable guard sleeve | 7 | Thumbwheel for setting temperature |
| 3 | Air inlet with integrated fine dust filter | 8 | Soft grip handle for comfortable operation |
| 4 | Soft coating for non-slip standing | 9 | Replaceable mains power cord |
| 5 | Heavy-duty rubber-insulated power cord | | |

Tool description - Operation HG 2220 E

Please note: The distance from the object you are working on depends on material and intended method of working. Always try out the airflow and temperature on a test piece first. Using the attachable accessory nozzles (see accessories page on the cover) the flow of hot air can be controlled with maximum precision. **Take care when changing hot nozzles!** When using the hot air tool in the self-resting position, make sure it is standing on a stable, non-slip and clean surface.

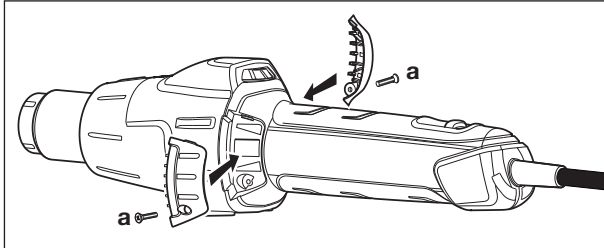
The tool is switched on and off by means of a two-stage airflow switch 6. In settings 1 and 2, the temperature is continuously variable at a thumbwheel in 9 steps. The guard sleeve can be removed.

Switching on causes brief voltage drops. If the mains power supply system is not absolutely stable, other equipment may be affected. No disturbance is likely to occur with mains impedances of less than 0.43 ohms.

Maintenance

Fine dust filter 3

The HG 2220 E has an integrated fine dust filter 3. To clean it (with compressed air), undo screws (a), take off cover and remove filter.

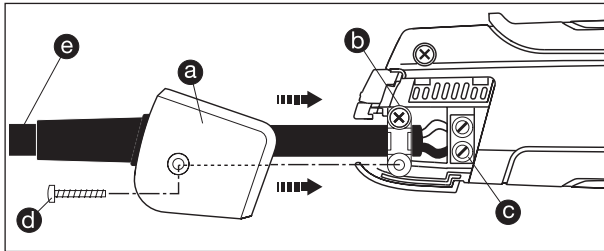


Repair

Changing the power cord 14

Important! Disconnect tool from power supply.

Let have electrical repairs only be executed by fully trained licensed electricians.



If the power cord is damaged, it can easily be changed without opening the casing.

1. Undo screw **d** and pull off cover cap **a**.
2. Release cable grip **b**.
3. Undo mains terminals **c**.
4. Pull out cable **e**.
5. Insert new cable and secure in reverse order (1. Firmly screw down mains terminals etc.).

Technical Specifications HG 2220 E

Voltage	120 V, 60 Hz	
Output	1500 W	
Stage	1	2
Airflow rate	4 - 7 cfm	6 - 12 cfm
Temperature	120 - 1100 °F 50 - 600 °C	120 - 1100 °F 50 - 600 °C
Temperature setting	At thumbwheel in 9 steps	
Power Cord	Industrial grade rubber, double insulated	
Thermal cut-out	Yes	
Emission sound pressure level	≤ 70dB (A)	
Total vibration value	≤ 2.5 m/s ² / K = 0.08 m/s ²	
Weight without power cord	0.610 kg	
Subject to technical modifications		

Settings		
	Airflow rate stage 1 low airflow rate	Airflow rate stage 2 high airflow rate
Thumbwheel	Temperature approx.	Temperature approx.
1	176 °F (80 °C)	176 °F (80 °C)
2	230 °F (110 °C)	230 °F (110 °C)
3	374 °F (190 °C)	356 °F (180 °C)
4	536 °F (280 °C)	500 °F (260 °C)
5	680 °F (360 °C)	644 °F (340 °C)
6	824 °F (440 °C)	788 °F (420 °C)
7	932 °F (500 °C)	896 °F (480 °C)
8	1058 °F (570 °C)	1040 °F (560 °C)
9	1166 °F (630 °C)	1166 °F (630 °C)

Depending on how accurately the thumbwheel is set, the guide values shown may differ by up to +/- 68 °F from the temperature actually delivered.

Applications HG 2220 E

Shrink tubing on cables:

The shrink tubing is slipped over the section you want to insulate and heated with hot air. The tubing shrinks by approx. 50% in diameter to give a sealed union. Shrinking is particularly fast and even using reflector nozzles. Sealing and stabilizing cable breaks, insulating soldered joints, gathering cable runs, sheathing terminal blocks.

Forming PVC:

Sheeting, piping or ski boots can be softened and formed with hot air.

Soldering:

First, clean metal parts you want to join. Then, using hot air, heat the point you want to solder and offer up the soldering wire. Use flux or a soldering wire with a flux core to prevent oxide forming.

Welding and joining plastic:

All parts being welded must be of the same plastic material. Use an appropriate welding rod.

Joining plastic sheeting:

The sheets are overlapped and welded together. A slit nozzle is used to direct hot air under the overlap, then the two sheets are firmly pressed together with a feed roller.

Also possible: Repairing PVC tarpaulins by overlap welding with a slit nozzle.

Shaping:

Ski boots and sports shoes can be shaped for a perfect fit.

Welding sheeting:

The sheets are overlapped and welded together. A slit nozzle is used to direct hot air under the overlap, then the two sheets are firmly pressed together with a feed roller.

Also possible: Repairing PVC tarpaulins by overlap welding with a slit nozzle.

- Welding all thermoplastics.
- Welding films and tarpaulins.
- Welding plastics and jointing.
- Activating and removing glues and hot-melt adhesives.
- Thawing frozen door locks, frozen water pipes, icy steps.
- Heating car-wrapping films.
- Applying edgebands.
- Shaping thermoplastics.

Plastic types:		
Material	Application types	Distinguishing characteristics
Rigid PVC	Piping, fittings, boards, building profiles, technical molded components, etc. Welding temperature 550 - 650 °F (290 - 345 °C)	Incineration test: carbonizes in the flame and extinguishes on its own Smoke odor: pungent, of hydrochloric acid Drop test: crashing
Plasticized PVC	Floor coverings, wallpaper, hoses, sheets, tools, etc. Welding temperature 550 - 650 °F (290 - 345 °C)	Incineration test: smoking, yellowish-green flame Smoke odor: pungent, of hydrochloric acid Drop test: silent
Plasticized PE (LDPE) Polyethylene	Domestic and electronic items, toys, bottles, etc. Welding temperature 450 - 550 °F (230 - 290 °C)	Incineration test: light, yellow flame, drops continue to burn Smoke odor: resembles an extinguished candle Drop test: dull
Hard PE (HDPE) Polyethylene	Baths, baskets, canisters, insulating materials, piping, cellar shafts, transport containers, waste bins, etc. Welding temperature 550 - 650 °F (290 - 345 °C)	Incineration test: light, yellow flame, drops continue to burn Smoke odor: resembles an extinguished candle Drop test: crashing
PP Polypropylene	HT drainpipes, plastic chairs, packaging, car components, equipment housing, technical moldings, battery boxes, etc. Welding temperature 450 - 550 °F (230 - 290 °C)	Incineration test: light flame with a blue core, drops continue to burn Smoke odor: pungent odor of paraffin Drop test: crashing
ABS	Car components, equipment housing, suitcases Welding temperature 625 - 725 °F (330 - 385 °C)	Incineration test: black, fluffy smoke Smoke odor: sweetish Drop test: crashing

Accessories HG 2220 E

Your retailer has a wide range of accessories for you to choose from.



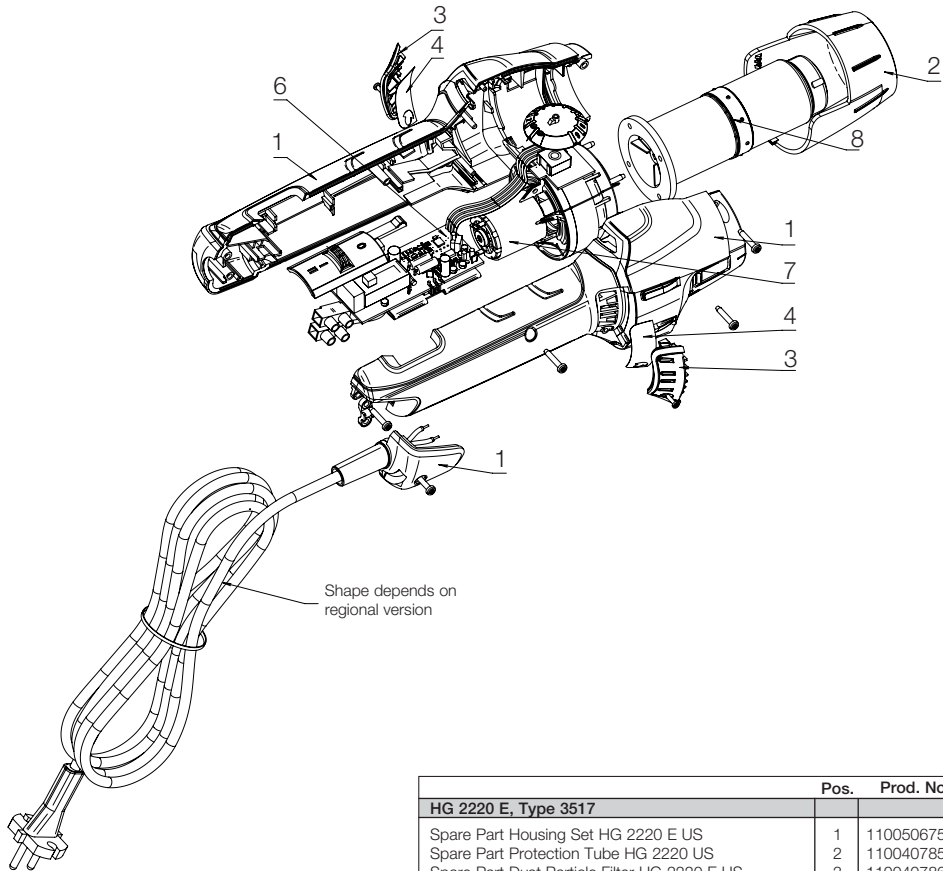


Special Accessories



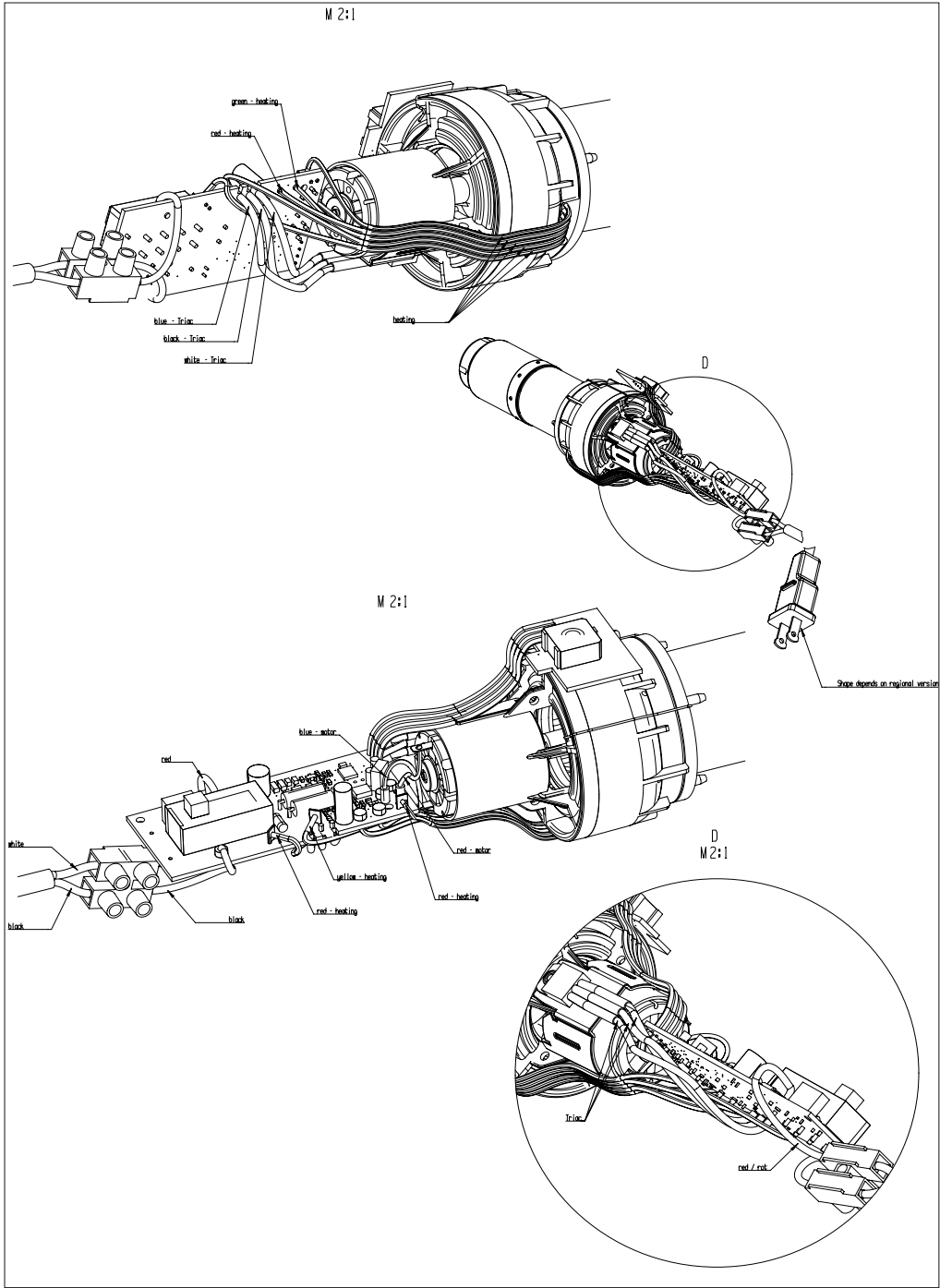
1	Window nozzle 75 mm	Prod No. 110048749	11	Reflector nozzle 14 mm	Prod No. 110048752
2	Window nozzle 50 mm	Prod No. 110048750	12	Reflector nozzle with sieve	Prod No. 110038724
3	Spreader nozzle 75 mm	Prod No. 110048749	13	Pinpoint reducer	Prod No. 110049668
4	Spreader nozzle 50 mm	Prod No. 110048643	14	Welding nozzle	Prod No. 110048648
5	Reflector nozzle 39 mm	Prod No. 110048645	15	Plastic welding rod rigid PVC	Prod. No. 110048754
6	Lap Welding Nozzle 20 mm	Prod No. 110048649	16	Plastic welding rod HDPE	Prod. No. 110048753
7	Round nozzle 14mm	Prod No. 110048647	17	Plastic welding rod PP	Prod. No. 110048757
8	Silicone seam roller	Prod No. 110049584	18	Plastic welding rod ABS	Prod. No. 110048756
9	Round nozzle 9mm	Prod No. 110048646	19	Thermo flex welding rod	Prod. No. 110049675
10	Reflector nozzle 9 mm	Prod No. 110048646	20	Case	Prod No. 110036731

Spare Parts List HG 2220 E



	Pos.	Prod. No.
HG 2220 E, Type 3517		
Spare Part Housing Set HG 2220 E US	1	110050675
Spare Part Protection Tube HG 2220 US	2	110040785
Spare Part Dust Particle Filter HG 2220 E US	3	110040786
Spare Part Fine Dust Particle Filter HG 2220 E US	4	110040787
Spare Part Power Cord HG 2220 US/TW	5	110024050
Spare Part Electronic Unit HG 2220 E US	6	110050678
Spare Part Motor Unit HG 2220 US	7	110041659
Spare Part Heating Element HG 2220 US	8	110050680

Wiring Diagram HG 2220 E



Limited Warranty

STEINEL warrants its hot air tools, if properly operated and maintained, and used under normal conditions, for a period of one (1) year from the date of purchase. Warranty does not apply to wearable items such as heating elements which require periodic replacement. Specifically EXCLUDED from warranty are tools that have been subject to abuse, tools that have been opened or repaired by anyone other than STEINEL, tools that have been modified in any way or mounted onto machinery/equipment, and tools that have been put into continuous operation. These are hand held power tools and are intended for use as such. Any other use voids STEINEL's warranty.

Warranty and Repair Procedures

In the event of product failure, please call STEINEL customer service directly at (800) 852-4343. We will attempt to troubleshoot the difficulty via phone. If warranty work or other repair appears necessary, we will issue an RGA# and we will supply you with a shipping address (postage paid by the customer), with the RGA# clearly marked, and accompanied by a brief description of the difficulty as well as your original dated sales receipt phone number and return address.

When received, STEINEL will diagnose the problem and determine if it is covered under warranty. If we determine that it is covered by warranty, we will repair or replace the defective tool, at our option, and return it to the customer (postage paid by STEINEL). If we determine that the tool is not defective and/or that it is not covered by warranty, we will contact the customer to discuss options prior to performing any repair work not covered under warranty. All non-warranty repair work is billed at standard rates and will be quoted prior to repair.

Consequential Damages

The company shall not be liable for any incidental or consequential damages arising from the use of the Product by the Purchaser, the breach of any warranties, the failure to deliver, delay in delivery, delivery in non-conforming condition, or for any other breach of contract or duty between the Company and the Purchaser. Some states do not allow the exclusion or limitation of incidental or consequential damages, so the above limitation or exclusion may not apply to you.

Disclaimers of warranties

The warranties contained herein are expressly in lieu of any other expressed or implied warranties, or any other obligation on the part of the Company. Any implied warranty of merchantability or fitness for a particular purpose shall expire one (1) year after the date the product is purchased by the original end-user Purchaser. Any models, drawings, plans, specifications, affirmations of fact, promises, or other communications by the Company with reference to the performance of the product are solely for the convenience of the Purchaser and shall not in any way modify the expressed warranties and disclaimers set forth herein. The Purchaser acknowledges it is purchasing the Product solely on the basis of the commitments of the Company as expressly set forth herein. No agents or other parties are authorized to make any warranties on behalf of the Company or to assume for the Company any other liability in connection with the Product. Some states do not allow limitations on how long an implied warranty lasts, so the above limitation may not apply to you.

Limitation of actions

Any action resulting from the breach of any warranty contained herein by the Company must be commenced within one (1) year after the cause of action accrues. In no event shall the Company's total liability for any or all breaches of any warranty exceed the actual purchase price of the Product.

Other rights

This warranty gives you specific legal rights, and you may also have other rights which vary from state to state.

Steinel America Inc.

FUNCTIONAL
12 month
WARRANTY