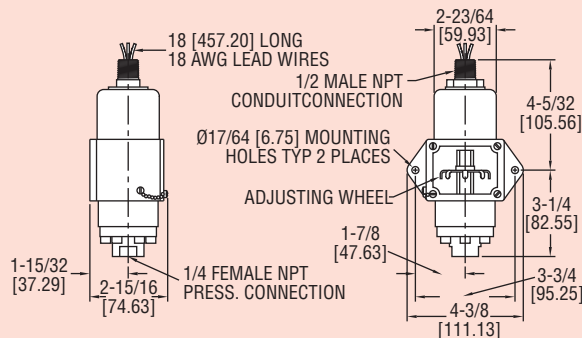




Series  
1000E

# Explosion-Proof Diaphragm Operated Pressure Switches

Visible Setpoint, Fixed Deadband, Pressure Ranges to 1400 psi



Same rugged construction as used in Series 1000W plus explosion-proof design are combined in this new unit. UL listed for Class I, Groups A, B, C & D; Class II, Groups E, F & G. Bellville spring movement permits mounting of control in any position and helps prevent contact chatter. High over-pressure protection and vibration resistance are also featured.

Aluminum Press. Chamber Polyamide Diaph. Model	316 SS Pressure Chamber FEP Diaphragm Model	Adjustable Operating Range psig (bar)	Approx.* Deadband (Fixed) psig (bar)
1003E-A1-J	1003E-B3-J	5-40 (.48-2.8)	2.5 (.17)
1004E-A1-J	1004E-B3-J	10-70 (.69-4.8)	5 (.34)
1005E-A1-J	1005E-B3-J	25-200 (1.7-13.8)	10 (.69)
1006E-A1-J	1006E-B3-J	50-350 (3.5-24.1)	18 (1.2)
1007E-A1-J	1007E-B3-J	75-550 (5.2-37.9)	36 (2.5)
1008E-A1-J	1008E-B3-J	100-900 (6.9-62.1)	60 (4.1)
1009E-A1-J	1009E-B3-J	200-1400 (13.8-96.5)	90 (6.2)

\*Deadband 10-15% larger when using 316 SS diaphragm.  
Change A1 to B2 for 316 SS diaphragm and pressure chamber e.g. 1003E-B2-J. Values shown are for mid-scale.

## SPECIFICATIONS

**Wetted Materials:** See pressure chamber and diaphragm material in model chart.

**Temperature Limits:** -30 to 170°F (-35 to 77°C).

**Pressure Limit:** 3000 psig (206.8 bar).

**Enclosure Rating:** Explosion-proof, UL listed for Class I, Groups A, B, C and D; Class II, Groups E, F, and G.

**Switch Type:** SPDT snap switch.

Hermetically sealed optional.

**Electrical Rating:** 15A @ 125/250/480 VAC res., 0.5A @ 125 VDC, 0.25A @ 250 VDC.

**Wiring Connections:** 18 AWG, 18" (460 mm) color-coded leads: N.O. (yellow), N.C. (black), and common (red).

**Conduit Connection:** 1/2" male NPT.  
**Process Connection:** 1/4" female NPT.

**Mounting Orientation:** Any position.  
**Set Point Adjustment:** Internal thumbwheel.

**Weight:** 3 lb (1.4 kg).

**Deadband:** See model chart.

**Agency Approvals:** CE, UL.